

1. Match the vector fields F with the plots labeled I - IV:

(a) $F(x, y) = \langle x, -y \rangle$ **IV**

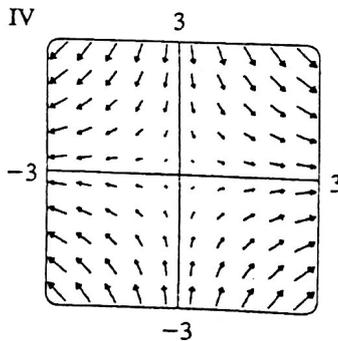
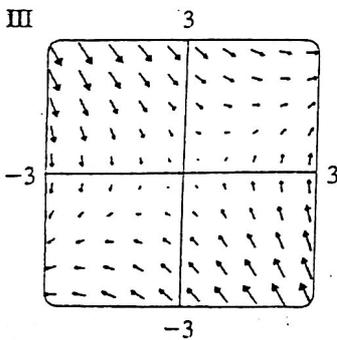
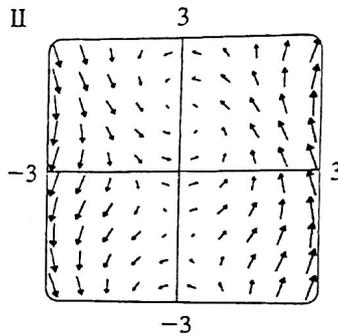
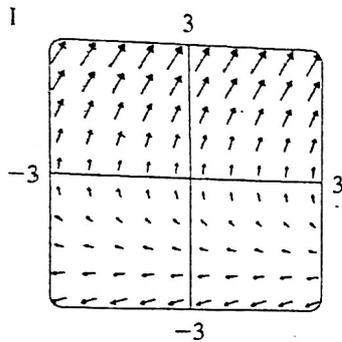
(b) $F(x, y) = \langle y, x - y \rangle$ **III**

(c) $F(x, y) = \langle y, y + 2 \rangle$ **I**

(d) $F(x, y) = \langle \cos(x + y), x \rangle$ **II**

$F(0, 0) = \langle 0, 0 \rangle$

$F(2, 2) = \langle 2, 2 \rangle$



2. Match the vector fields F with the plots labeled I - IV:

- (a) $F(x, y, z) = \mathbf{i} + 2\mathbf{j} + 3\mathbf{k}$ **IV**
 (b) $F(x, y, z) = \mathbf{i} + 2\mathbf{j} + z\mathbf{k}$ **III**
 (c) $F(x, y, z) = x\mathbf{i} + y\mathbf{j} + 3\mathbf{k}$ **I**
 (d) $F(x, y, z) = x\mathbf{i} + y\mathbf{j} + z\mathbf{k}$ **II**

